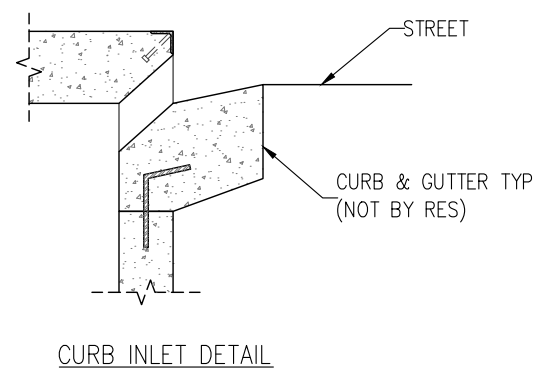
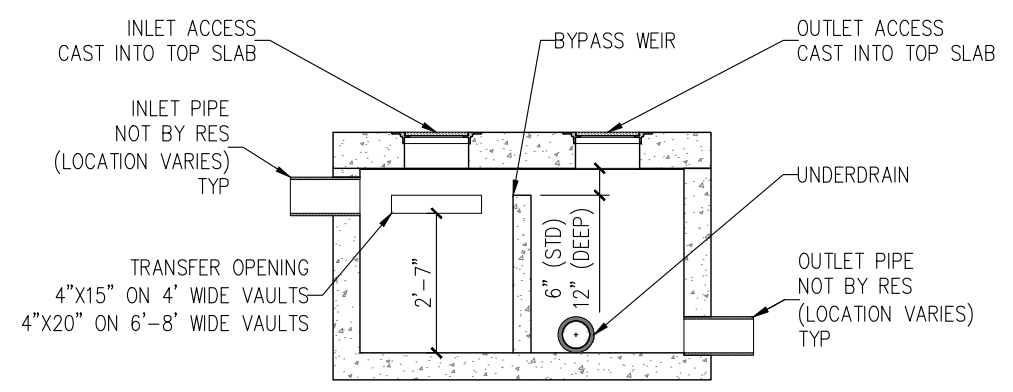
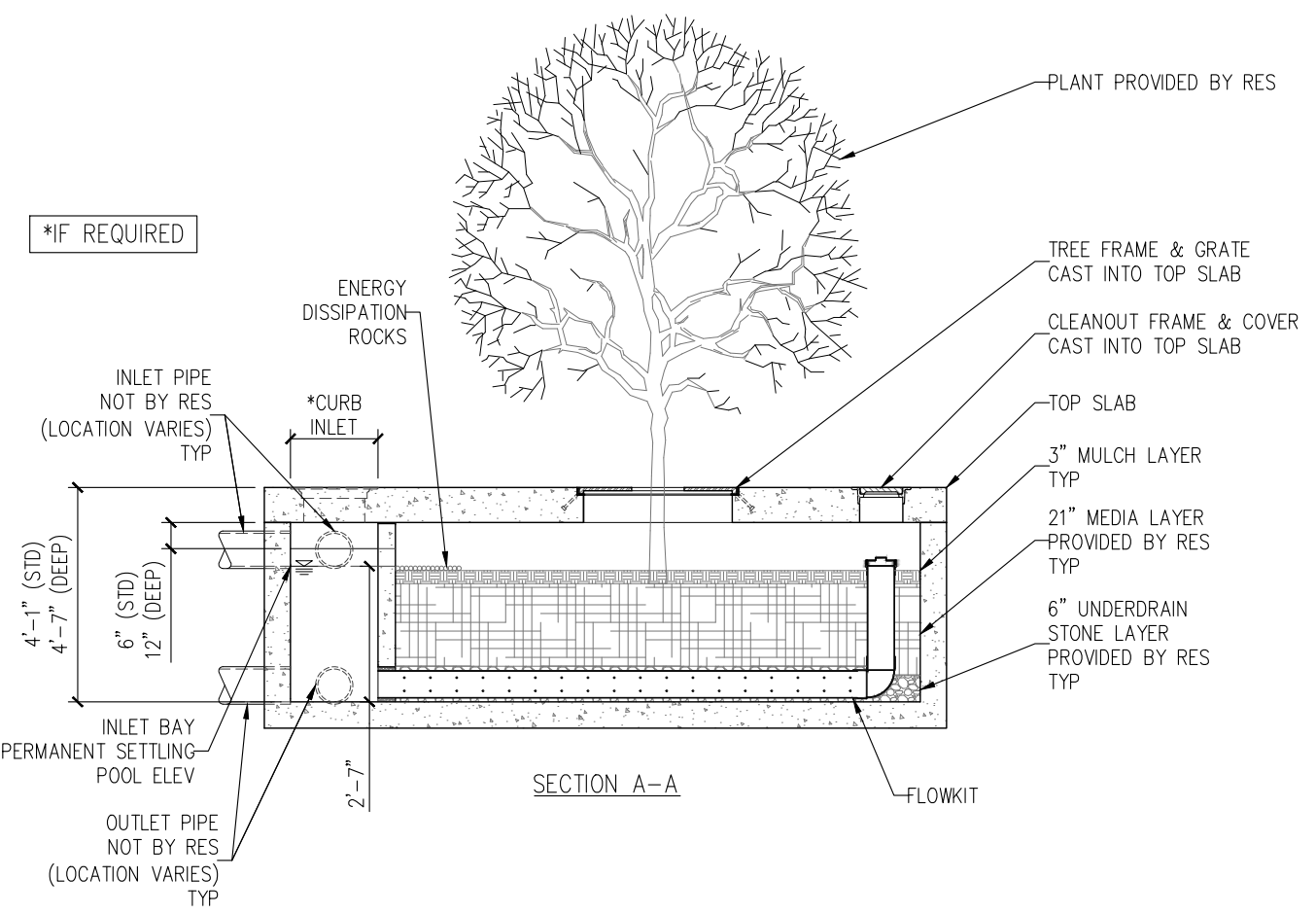


STANDARD HEIGHT CONFIGURATION							
DESIGNATION	MEDIA BAY SIZE	VAULT SIZE (W x L)	TREATMENT FLOW CAPACITY (GPM/CFS)	WEIR LENGTH/MAX CURB OPENING	*MAX BYPASS FLOW (CFS)	INLET/OUTLET ACCESS DIA	TREE GRATE QTY & SIZE
SGT-44IB	4' x 4'	4' x 6'	23.26 / 0.051	1'-8"	1.4	12"/12"	(1) 3' x 3'
SGT-46IB	4' x 6'	4' x 8'	34.89 / 0.077	1'-8"	1.4	12"/12"	(1) 3' x 3'
SGT-64IB	6' x 4'	6' x 6'	34.89 / 0.077	1'-8"	1.4	12"/12"	(1) 3' x 3'
SGT-66IB	6' x 6'	6' x 8'	52.34 / 0.116	1'-8"	1.4	12"/12"	(1) 3' x 3'
SGT-68IB	6' x 8'	6' x 10'	69.79 / 0.155	1'-8"	1.4	12"/12"	(1) 3' x 3'
SGT-610IB	6' x 10'	6' x 12'	87.24 / 0.194	1'-8"	1.4	12"/12"	(1) 3' x 3'
SGT-710IB	7' x 10'	7' x 13'	101.78 / 0.226	2'-8"	2.3	24"/24"	(1) 3' x 3'
SGT-8105IB	8' x 10.5'	8' x 14'	122.13 / 0.272	3'-2"	2.7	24"/24"	(1) 3' x 3'
SGT-8125IB	8' x 12.5'	8' x 16'	145.40 / 0.324	3'-2"	2.7	24"/24"	(2) 3' x 3'

DEEP OPTION CONFIGURATION							
DESIGNATION	MEDIA BAY SIZE	VAULT SIZE (W x L)	TREATMENT FLOW CAPACITY (GPM/CFS)	WEIR LENGTH/MAX CURB OPENING	*MAX BYPASS FLOW (CFS)	INLET/OUTLET ACCESS DIA	TREE GRATE QTY & SIZE
SGT-44IB-D	4' x 4'	4' x 6'	23.26 / 0.051	1'-8"	4.6	12"/12"	(1) 3' x 3'
SGT-46IB-D	4' x 6'	4' x 8'	34.89 / 0.077	1'-8"	4.6	12"/12"	(1) 3' x 3'
SGT-64IB-D	6' x 4'	6' x 6'	34.89 / 0.077	1'-8"	4.6	12"/12"	(1) 3' x 3'
SGT-66IB-D	6' x 6'	6' x 8'	52.34 / 0.116	1'-8"	4.6	12"/12"	(1) 3' x 3'
SGT-68IB-D	6' x 8'	6' x 10'	69.79 / 0.155	1'-8"	4.6	12"/12"	(1) 3' x 3'
SGT-610IB-D	6' x 10'	6' x 12'	87.24 / 0.194	1'-8"	4.6	12"/12"	(1) 3' x 3'
SGT-710IB-D	7' x 10'	7' x 13'	101.78 / 0.226	2'-8"	7.3	24"/24"	(1) 3' x 3'
SGT-8105IB-D	8' x 10.5'	8' x 14'	122.13 / 0.272	3'-2"	8.7	24"/24"	(1) 3' x 3'
SGT-8125IB-D	8' x 12.5'	8' x 16'	145.40 / 0.324	3'-2"	8.7	24"/24"	(2) 3' x 3'

*MAX BYPASS FLOW IS INTERNAL WEIR FLOW. SITE SPECIFIC ANALYSIS IS REQUIRED TO DETERMINE CURB INLET FLOW CAPACITY



- NOTES:
- OTHER SIZES AVAILABLE UPON REQUEST
 - INTERNAL PIPE CONFIGURATION MAY VARY DEPENDING UPON OUTLET LOCATION
 - ALTERNATE LAYOUT ORIENTATION AVAILABLE

**STORMGARDEN TREE VAULT
W/ INTERNAL BYPASS**

State of Washington

**TAPE
GULD**

Basic
Phosphorus

PATENT PENDING

StormGarden

HIGH RATE BIOFILTRATION MEDIA

By **ROTONDO**
Environmental Solutions LLC

www.Rotondo-ES.com