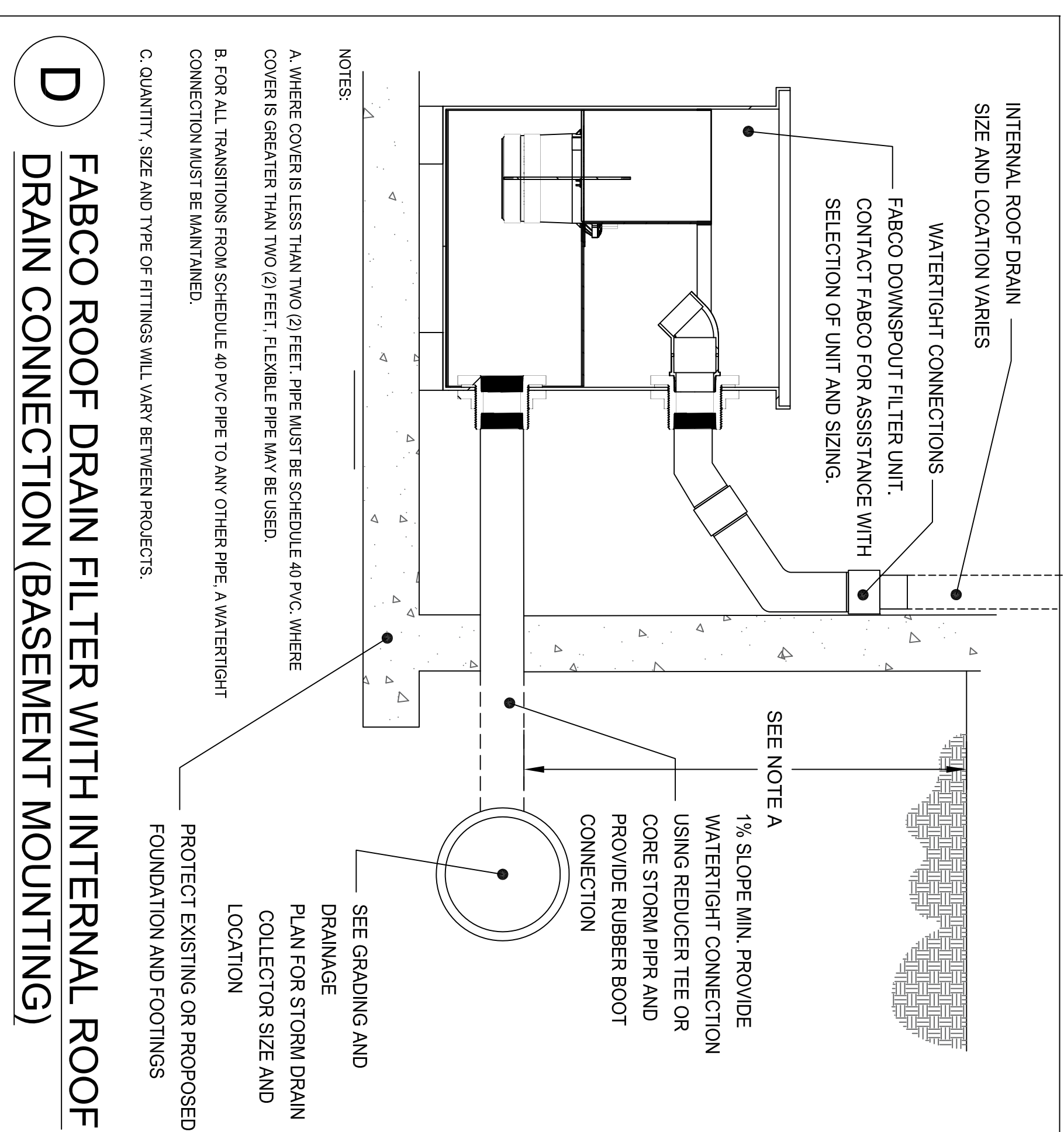


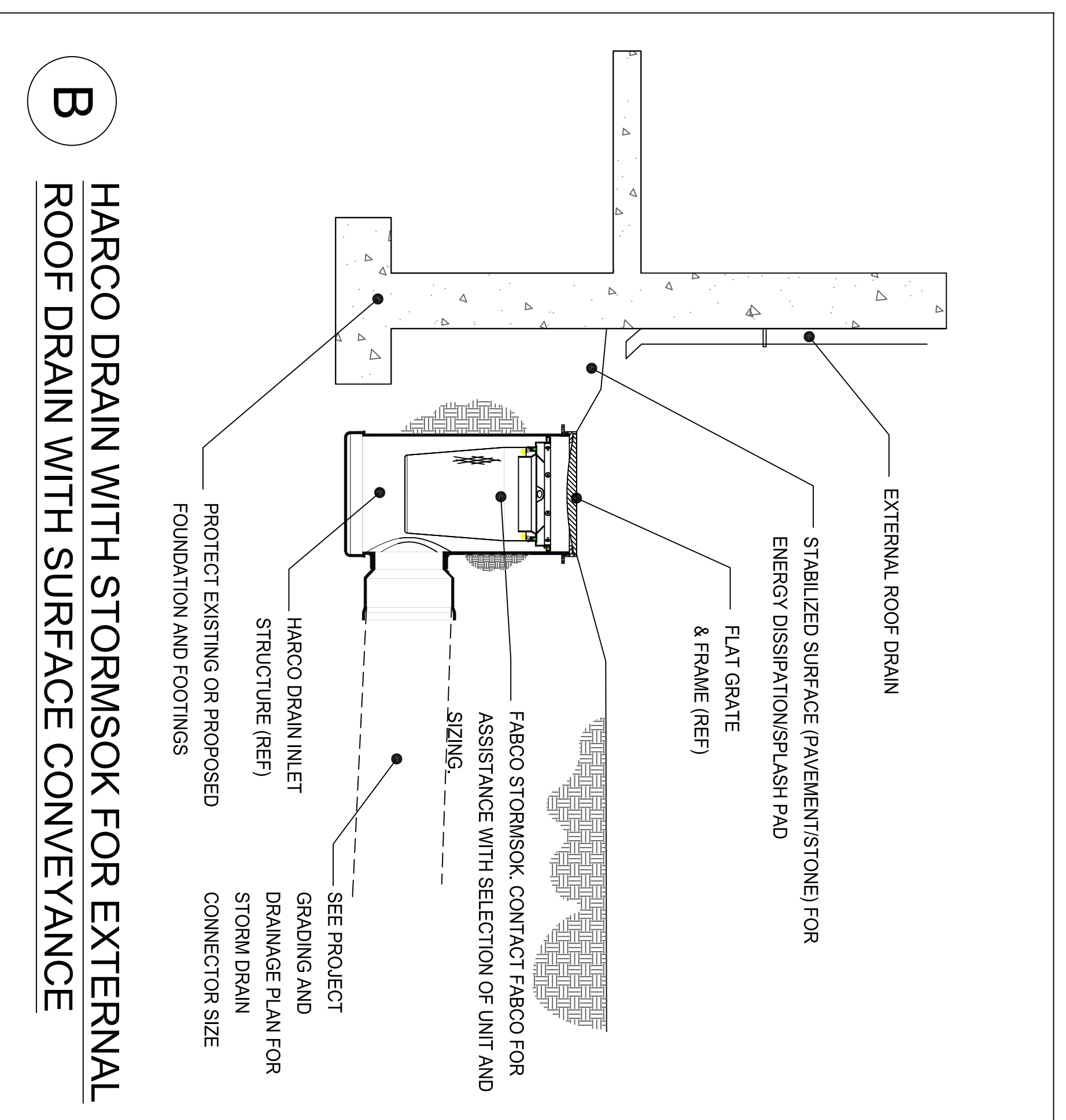
A FABCO ROOF DRAIN FILTER WITH EXTERNAL ROOF DRAIN CONNECTION (SURFACE MOUNTING)

NOTES:
 A. WHERE COVER IS LESS THAN TWO (2) FEET, PIPE MUST BE SCHEDULE 40 PVC. WHERE COVER IS GREATER THAN TWO (2) FEET, FLEXIBLE PIPE MAY BE USED.
 B. FOR ALL TRANSITIONS FROM SCHEDULE 40 PVC PIPE TO ANY OTHER PIPE, A WATERTIGHT CONNECTION MUST BE MAINTAINED.
 C. QUANTITY, SIZE AND TYPE OF FITTINGS WILL VARY BETWEEN PROJECTS.



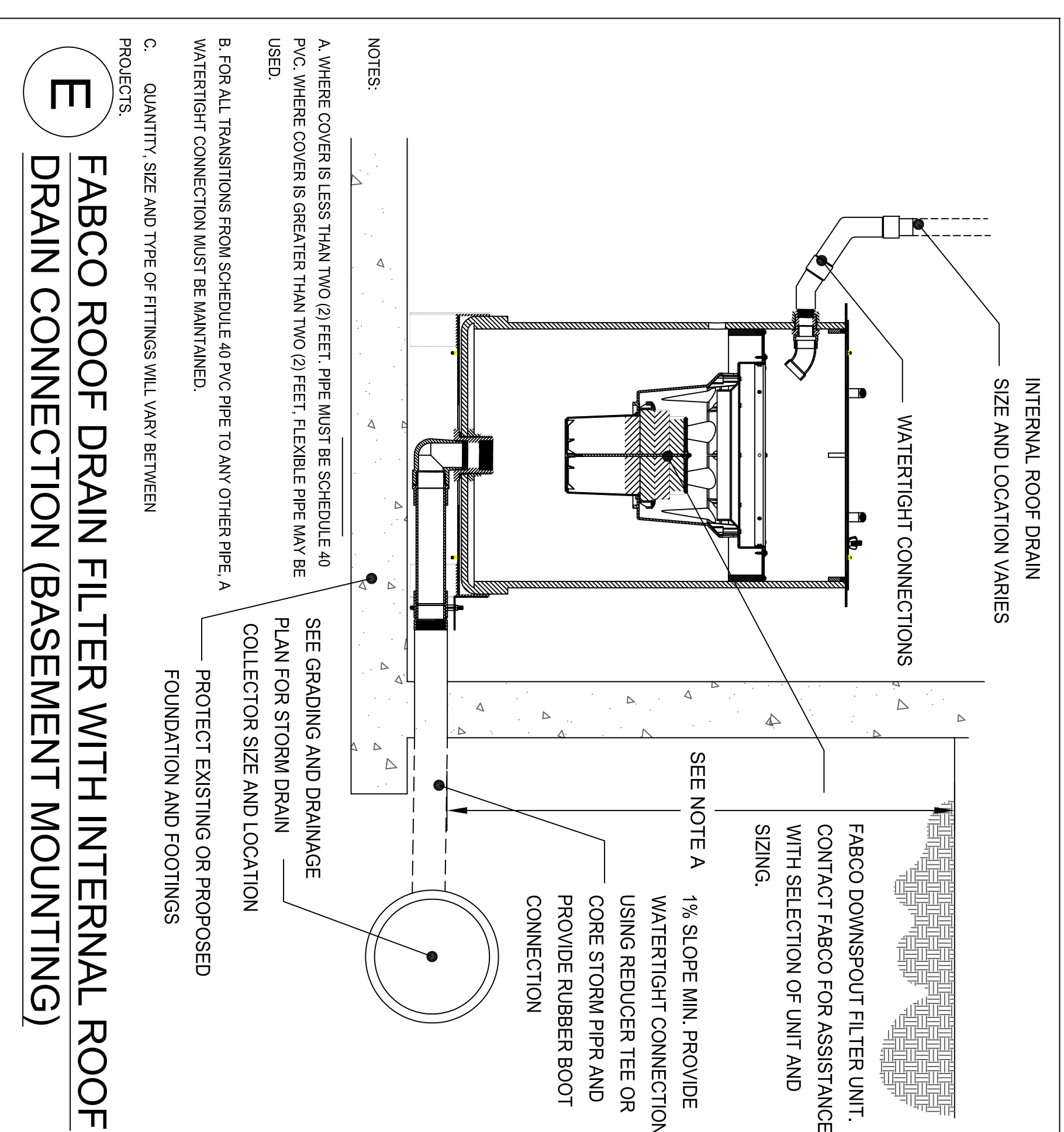
D FABCO ROOF DRAIN FILTER WITH INTERNAL ROOF DRAIN CONNECTION (BASEMENT MOUNTING)

NOTES:
 A. WHERE COVER IS LESS THAN TWO (2) FEET, PIPE MUST BE SCHEDULE 40 PVC. WHERE COVER IS GREATER THAN TWO (2) FEET, FLEXIBLE PIPE MAY BE USED.
 B. FOR ALL TRANSITIONS FROM SCHEDULE 40 PVC PIPE TO ANY OTHER PIPE, A WATERTIGHT CONNECTION MUST BE MAINTAINED.
 C. QUANTITY, SIZE AND TYPE OF FITTINGS WILL VARY BETWEEN PROJECTS.



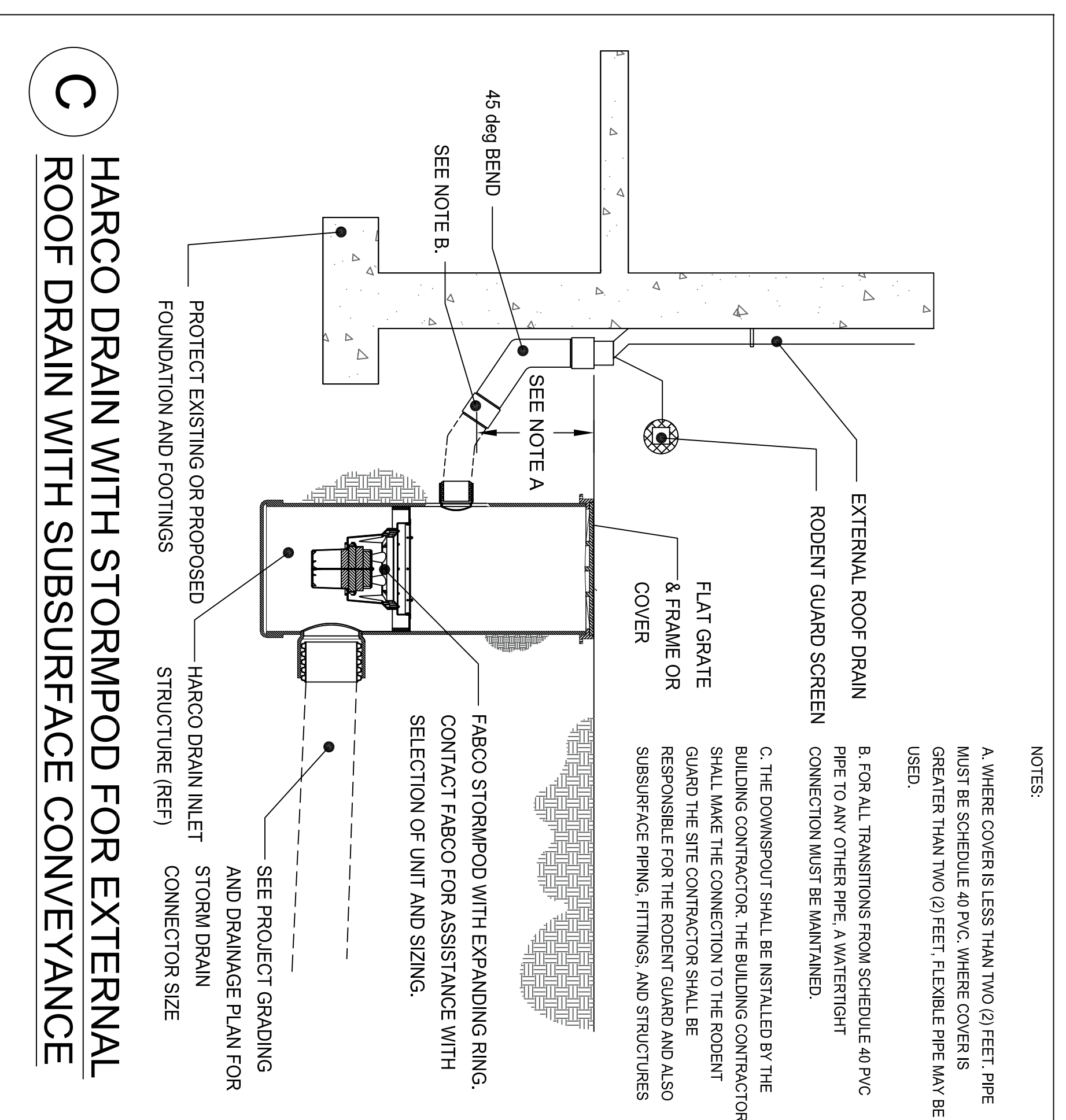
B HARCO DRAIN WITH STORMSOK FOR EXTERNAL ROOF DRAIN WITH SURFACE CONVEYANCE

NOTES:
 A. WHERE COVER IS LESS THAN TWO (2) FEET, PIPE MUST BE SCHEDULE 40 PVC. WHERE COVER IS GREATER THAN TWO (2) FEET, FLEXIBLE PIPE MAY BE USED.
 B. FOR ALL TRANSITIONS FROM SCHEDULE 40 PVC PIPE TO ANY OTHER PIPE, A WATERTIGHT CONNECTION MUST BE MAINTAINED.
 C. QUANTITY, SIZE AND TYPE OF FITTINGS WILL VARY BETWEEN PROJECTS.



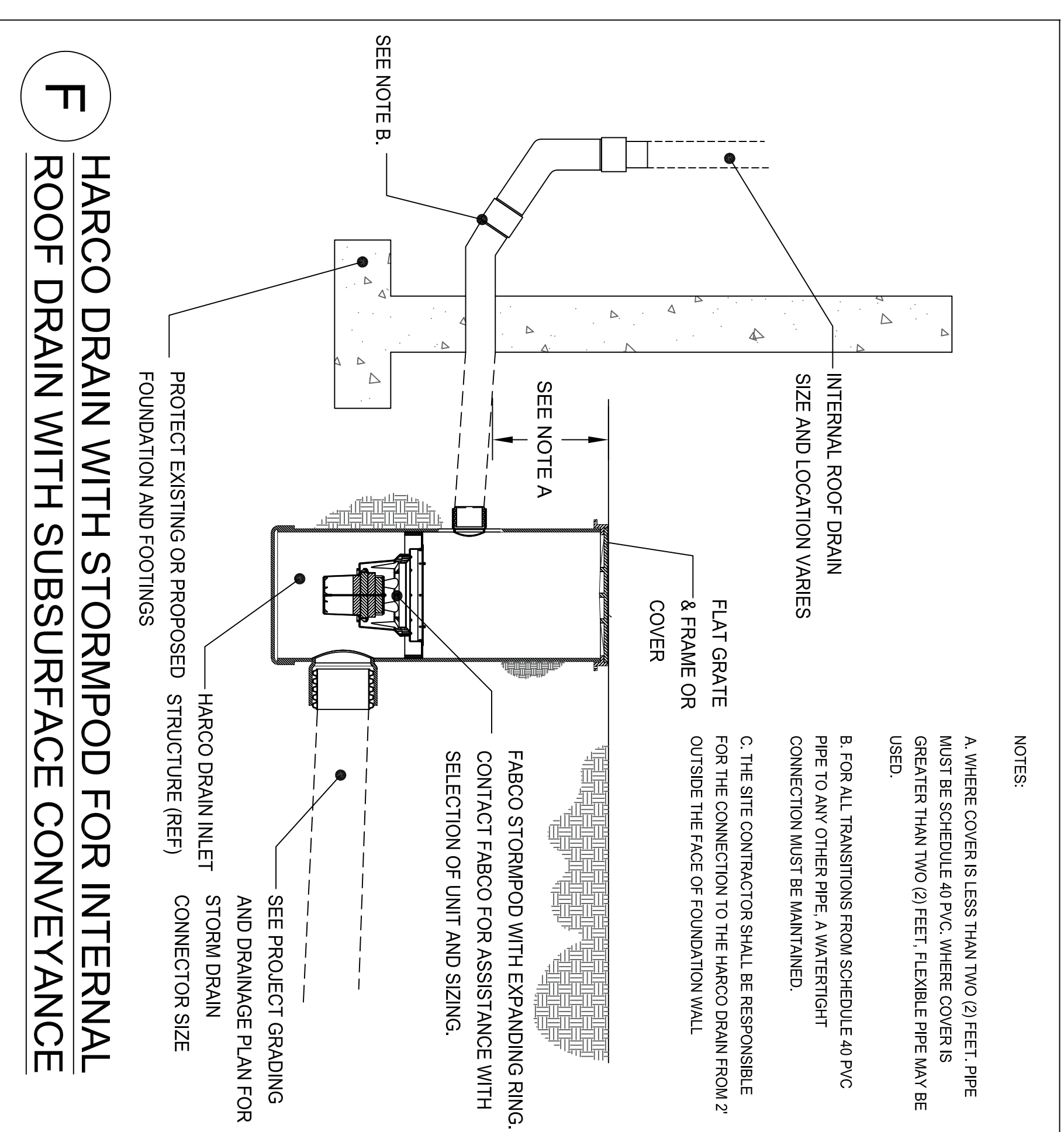
E FABCO ROOF DRAIN FILTER WITH INTERNAL ROOF DRAIN CONNECTION (BASEMENT MOUNTING)

NOTES:
 A. WHERE COVER IS LESS THAN TWO (2) FEET, PIPE MUST BE SCHEDULE 40 PVC. WHERE COVER IS GREATER THAN TWO (2) FEET, FLEXIBLE PIPE MAY BE USED.
 B. FOR ALL TRANSITIONS FROM SCHEDULE 40 PVC PIPE TO ANY OTHER PIPE, A WATERTIGHT CONNECTION MUST BE MAINTAINED.
 C. QUANTITY, SIZE AND TYPE OF FITTINGS WILL VARY BETWEEN PROJECTS.



C HARCO DRAIN WITH STORMPOD FOR EXTERNAL ROOF DRAIN WITH SUBSURFACE CONVEYANCE

NOTES:
 A. WHERE COVER IS LESS THAN TWO (2) FEET, PIPE MUST BE SCHEDULE 40 PVC. WHERE COVER IS GREATER THAN TWO (2) FEET, FLEXIBLE PIPE MAY BE USED.
 B. FOR ALL TRANSITIONS FROM SCHEDULE 40 PVC PIPE TO ANY OTHER PIPE, A WATERTIGHT CONNECTION MUST BE MAINTAINED.
 C. THE DOWNSPOUT SHALL BE INSTALLED BY THE BUILDING CONTRACTOR. THE BUILDING CONTRACTOR SHALL MAKE THE CONNECTION TO THE RODENT GUARD. THE SITE CONTRACTOR SHALL BE RESPONSIBLE FOR THE RODENT GUARD AND ALSO SUBSURFACE PIPING, FITTINGS, AND STRUCTURES.



F HARCO DRAIN WITH STORMPOD FOR INTERNAL ROOF DRAIN WITH SUBSURFACE CONVEYANCE

NOTES:
 A. WHERE COVER IS LESS THAN TWO (2) FEET, PIPE MUST BE SCHEDULE 40 PVC. WHERE COVER IS GREATER THAN TWO (2) FEET, FLEXIBLE PIPE MAY BE USED.
 B. FOR ALL TRANSITIONS FROM SCHEDULE 40 PVC PIPE TO ANY OTHER PIPE, A WATERTIGHT CONNECTION MUST BE MAINTAINED.
 C. THE SITE CONTRACTOR SHALL BE RESPONSIBLE FOR THE CONNECTION TO THE HARCO DRAIN FROM THE FACE OF FOUNDATION WALL.

FOR ADDITIONAL INFORMATION CONTACT:
 FABCO INDUSTRIES
 66 CENTRAL AVE, FARMINGDALE, NY 11735
 PHONE: (631) 393 6024 WEB: FABCO-INDUSTRIES.COM

PRELIMINARY - NOT FOR CONSTRUCTION

BASIC SIZING/REQUIRED # OF STANDARD CARTRIDGES:

REQ'D TREATMENT FLOW RATE (CFS)	REQ'D # OF CARTRIDGES
0.00-0.25	1
0.25-0.50	2
0.50-0.75	3
0.75-1.00.	4

REV	DATE	DESCRIPTION	REVISIONS
1	08.15.14	ISSUED FOR INTERNAL REVIEW	
2	11.05.14	REVISED PER INTERNAL REVIEW	

PROJECT	FABCO INDUSTRIES, INC.
SHEET TITLE	FABCO DOWNSPOUT FILTER SAMPLE CONFIGURATIONS
DRAWN: R/W	DATE: AUG 2014
DESIGNED: WSS	SCALE: N.T.S.
CHECKED: WSS	JOB NO.
FILE NAME: downsput filter detail sheet.dwg	
SHEET	C-1.0

