

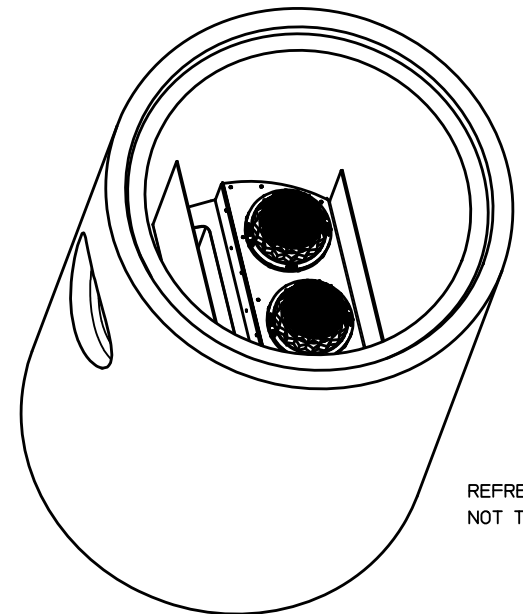
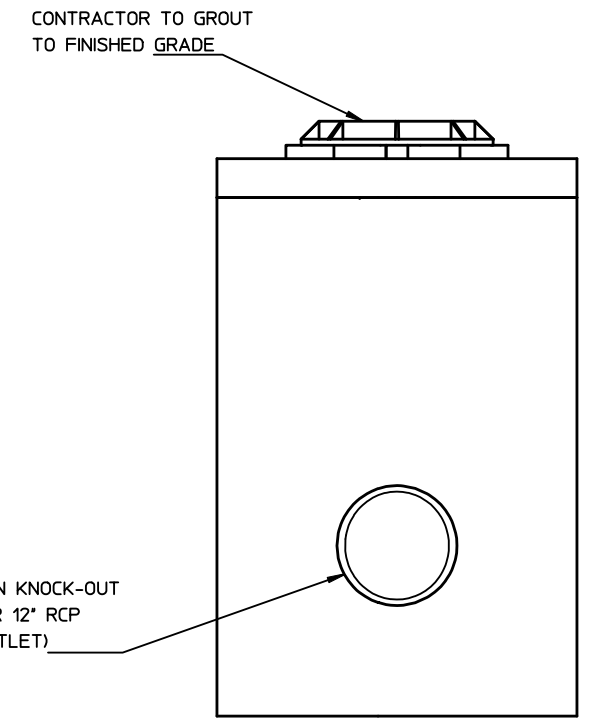
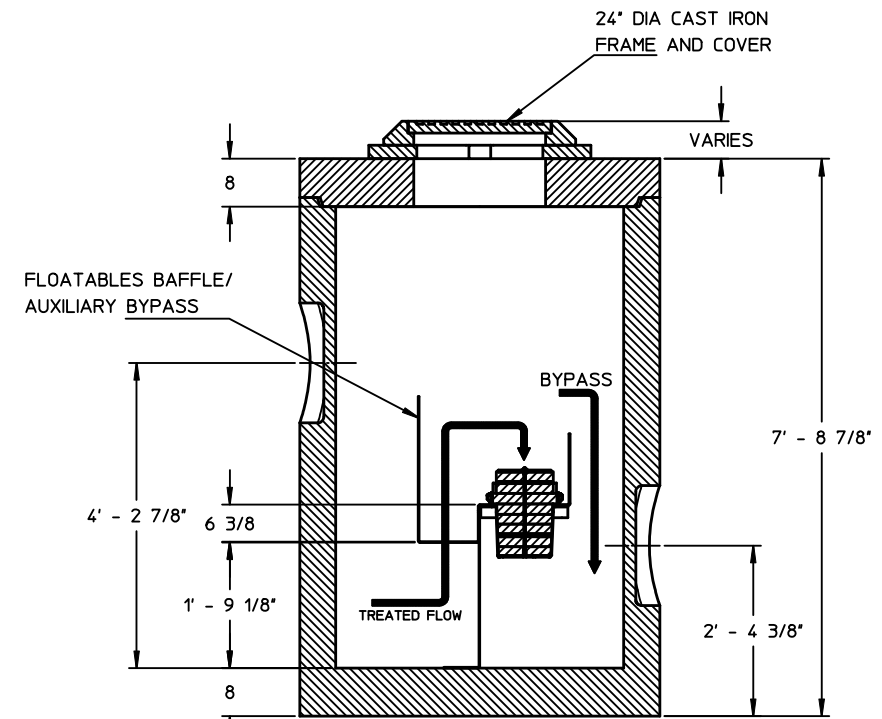
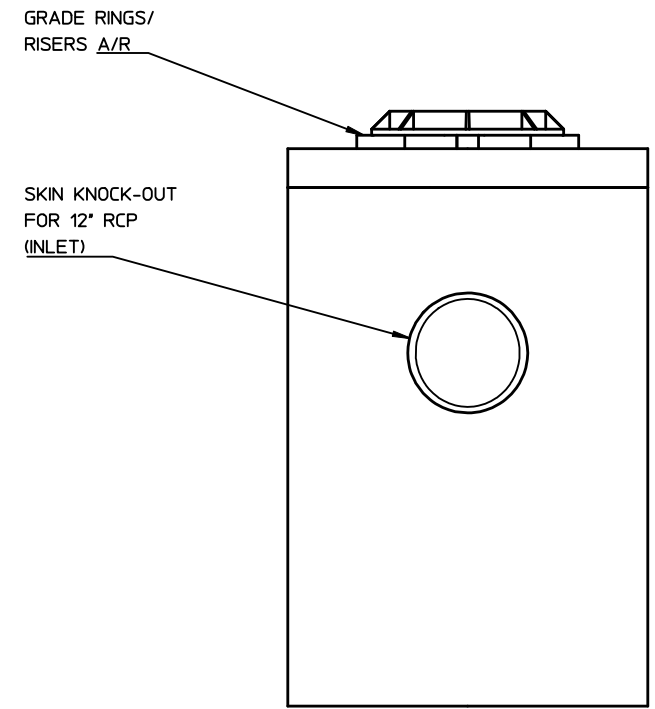
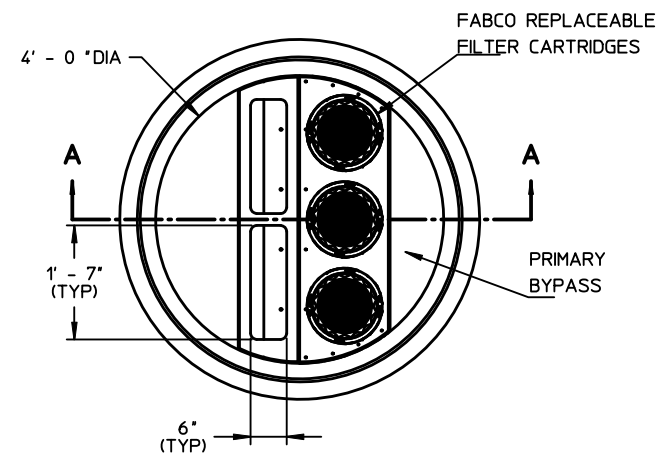
THIS DOCUMENT IS THE PROPERTY OF FABCO INDUSTRIES AND IS CONVEYED WITH THE EXPRESS CONDITION THAT IT AND THE INFORMATION CONTAINED IN IT ARE NOT TO BE USED, DISCLOSED, OR REPRODUCED IN WHOLE OR IN PART, FOR ANY PURPOSE WITHOUT THE EXPRESS WRITTEN CONSENT OF FABCO INDUSTRIES, AND THAT NO RIGHT IS GRANTED TO DISCLOSE OR SO USE ANY INFORMATION CONTAINED IN SAID DOCUMENT.

REVISIONS			
REV	DESCRIPTION	DATE	APPROVED
A	FIRST RELEASE	11/21/13	

- NOTES (REF):
- WEIGHT ESTIMATE:
 - COVER: 2,000-LB
 - BASE W/ FILTERS: 10,000-LB
 - MATERIALS MEET OR EXCEEDS REQUIREMENTS:
 - VAULT:
 - REINFORCEMENT STEEL: REBAR, ASTM A-615 GRADE 60
 - CEMENT: ASTM C-150 SPECIFICATIONS
CONCRETE 28 DAY COMPRESSIVE STRENGTH SHALL BE 5000 PSI (MIN)
 - ACCESS MANHOLES: ASTM-A-48, CLASS 35B GRAY IRON OR ASTM A536, GRADE 80-55-06 DUCTILE IRON.
 - CONCRETE STRUCTURE DESIGN LOADINGS:
 - AASHTO HS-20 LOAD RATING.
 - SOIL WEIGHT = 120 PCF
 - DEPTH OF OVERBURDEN: <5-FT
 - EQUIVALENT FLUID PRESSURE = 40 PCF
 - LATERAL LIVE LOAD SURCHARGE PER SPECS.
 - PERFORMANCE CHARACTERISTICS (W/ FABCO HIGH FLOW CARTRIDGE):
 - MAXIMUM CARTRIDGE CAPACITY = 3
 - MAXIMUM TREATMENT CAPACITY = 1.7 CFS (2558 GPM)
 - BYPASS CAPACITY 14.12 CFS (6337 GPM)
 - EAST JORDAN IRON WORKS (EJIW) UTILITY CONSTRUCTION CASTINGS ARE RATED FOR REPEATED VEHICULAR TRAFFIC AND CONFORM TO AASHTO M306 STANDARDS. FINAL MANHOLE OR ACCESS HATCH INSTALLATION, AND ADJUSTMENT TO GRADE, SHALL BE PERFORMED BY QUALIFIED PERSONNEL.
 - EXCAVATION, DEWATERING, DRAINAGE FILL, AND BACK FILL OPERATIONS SHALL BE PERFORMED IN ACCORDANCE WITH OSHA AND LOCAL REGULATIONS AND ARE THE RESPONSIBILITY OF THE CONTRACTOR. SUB-BASE AND BACKFILL DEPTH ARE SITE SPECIFIC AND SHALL BE SPECIFIED BY THE ENGINEER OF RECORD.
 - THE CONTRACTOR SHALL VERIFY THAT THE UNIT IS VERTICALLY AND HORIZONTALLY PLUMB AND STABLE, WITH MINIMUM VOIDS AND MINIMUM UN-COMPACTED SOIL AFTER BACK FILL OPERATION.
 - CONNECT EXISTING DRAIN LINE TO STORMSAFE OUTLET PORT WITH APPROVED NON-SHRINKING GROUT-FILL IN ACCORDANCE WITH GROUT MANUFACTURERS INSTRUCTIONS. ALL GROUT-FILL MATERIALS SHALL BE SUPPLIED BY THE CONTRACTOR. THE STORMSAFE 'OUTLET' PORT IS CLEARLY LABELED WITH BLACK PAINT. OUTLET DRAIN LINES ARE TO BE ALIGNED FLUSH WITH RESPECT TO THE INTERIOR VAULT WALLS.
 - MAINTENANCE AND CARTRIDGE FILTER REPLACEMENT INSTRUCTIONS ARE PROVIDED SEPARATELY BY FABCO AND ARE SITE SPECIFIC.
 - CARTRIDGE FILTER REPLACEMENT (IN GENERAL):
FOR BEST PERFORMANCE REPLACE CARTRIDGE FILTERS IAW FABCO RECOMMENDATIONS. HIGH CONTAMINANT LOCATIONS MAY REQUIRE MORE FREQUENT CARTRIDGE REPLACEMENT. REMOVE ANY DEBRIS OR HEAVY SEDIMENT FROM THE INFLUENT AND EFFLUENT CHAMBERS. ENTER THE STORMSAFE CARTRIDGE CHAMBER IN ACCORDANCE WITH STATE AND LOCAL REGULATIONS FOR ENCLOSED SPACE ENTRY. REMOVE EACH CARTRIDGE BY ROTATING 30-DEGREES IN THE CLOCKWISE DIRECTION AND LIFTING. LIKEWISE, INSTALL THE NEW CARTRIDGE AND LOCK IN PLACE BY ROTATING 30-DEGREES IN THE COUNTER CLOCKWISE DIRECTION. DISPOSE OF USED FILTER CARTRIDGES PER LOCAL REGULATIONS.

SITE SPECIFIC DATA REQUIREMENTS			
STRUCTURE ID	*		
WATER QUALITY FLOW RATE (CFS)	*		
PEAK FLOW RATE (CFS)	*		
RETURN PERIOD OF PEAK FLOW (YRS)	*		
# OF CARTRIDGES REQUIRED	*		
CARTRIDGE FLOW RATE (CFS)	*		
MEDIA TYPE (CFS, PERLITE, ZPG, GAC, PHS)	*		
PIPE DATA:	I.E.	MATERIAL	DIAMETER
INLET PIPE #1	*	*	*
INLET PIPE #2	*	*	*
OUTLET PIPE	*	*	*
UPSTREAM RIM ELEVATION	*		
DOWNSTREAM RIM ELEVATION	*		
ANTI-FLOATATION BALLAST	WIDTH	HEIGHT	
	*	*	
NOTES/SPECIAL REQUIREMENTS:			
* PER ENGINEER OF RECORD			

TOP SLAB NOT SHOWN



SECTION A-A

NO	QTY	PART NUMBER	DESCRIPTION	REMARKS
UNLESS OTHERWISE SPECIFIED TOLERANCES: DEC .00 ± .01				
REMOVE ALL BURRS DEC .00 ± .01				
BREAK SHARP EDGES .002 - .020 DEC .000 ± .005				
FILLETS .250 MAX FRACT ± 1/16				
DIMENSIONS ARE IN INCHES AND ANGLE ± 2°				
INCLUDE ORIENTALLY APPLIED OR PLATED FINISHES R10 FINISH ✓				
DO NOT SCALE THIS DRAWING				
MATERIAL			SEE NOTES	
MODEL LINK			10078-3	
APPROVALS			DATE	
OWN MS			11/21/13	
ENGR JP			11/21/13	
APVD				
BILL OF MATERIALS			TITLE	
FABCO INDUSTRIES, INC.			MANHOLE STORMSAFE CARTRIDGE FILTER, 4' DIA	
66 CENTRAL AVENUE			SIZE	
FARMINGDALE, NY 11735			D 1P8A4	
WWW.FABCO-INDUSTRIES.COM			CAGE CODE DWG NO	
			10078-3-000	
			REV	
			A	
			SCALE 1:16	
			SHEET 1 OF 1	