

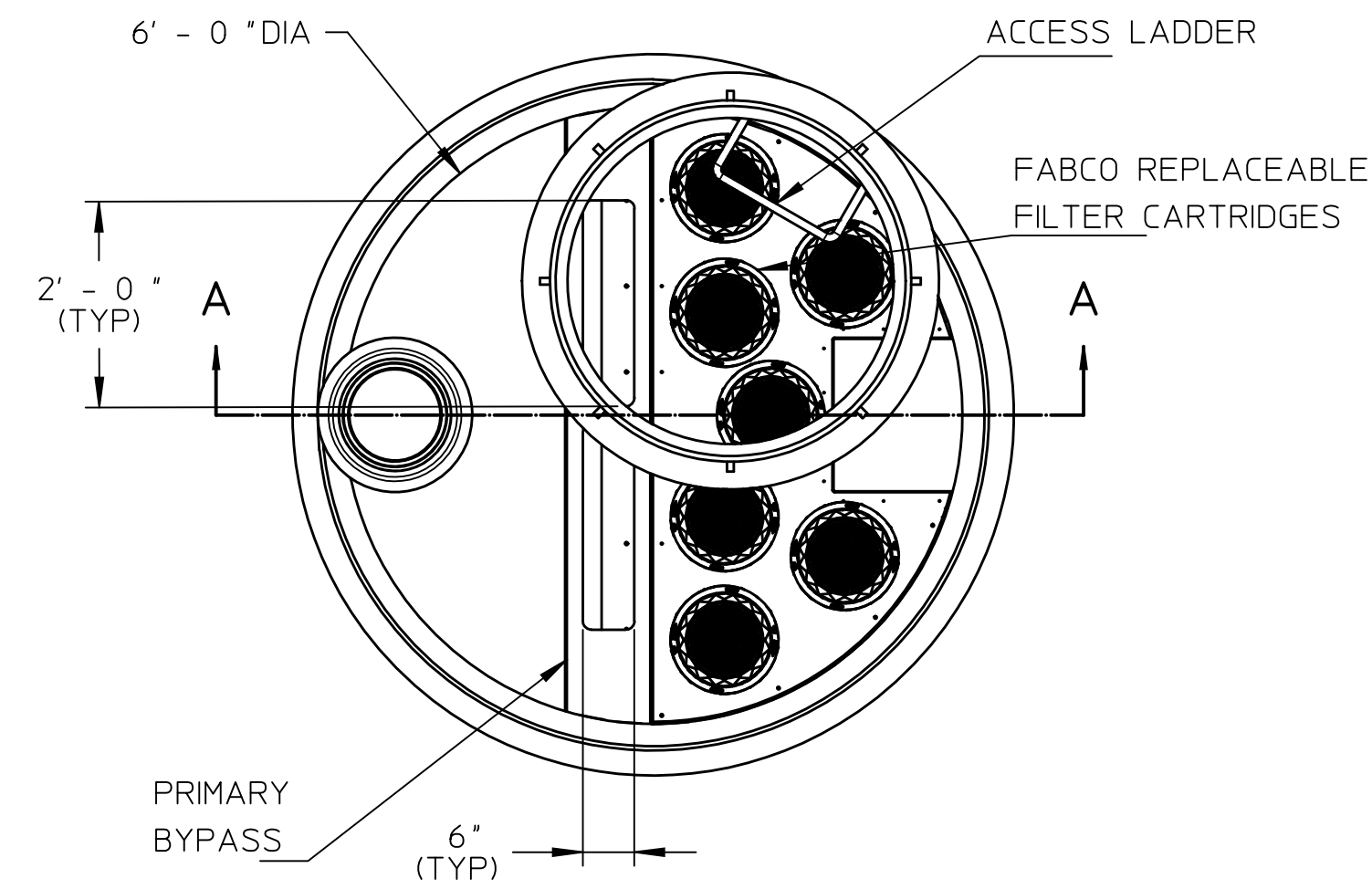
THIS DOCUMENT IS THE PROPERTY OF FABCO INDUSTRIES AND IS CONVEYED WITH THE EXPRESS CONDITION THAT IT AND THE INFORMATION CONTAINED IN IT ARE NOT TO BE USED, DISCLOSED, OR REPRODUCED IN WHOLE OR IN PART, FOR ANY PURPOSE WITHOUT THE EXPRESS WRITTEN CONSENT OF FABCO INDUSTRIES, AND THAT NO RIGHT IS GRANTED TO DISCLOSE OR SO USE ANY INFORMATION CONTAINED IN SAID DOCUMENT.

REVISIONS			
REV	DESCRIPTION	DATE	APPROVED
B	ADDED LADDER AND SUMP RISER	12/17/13	

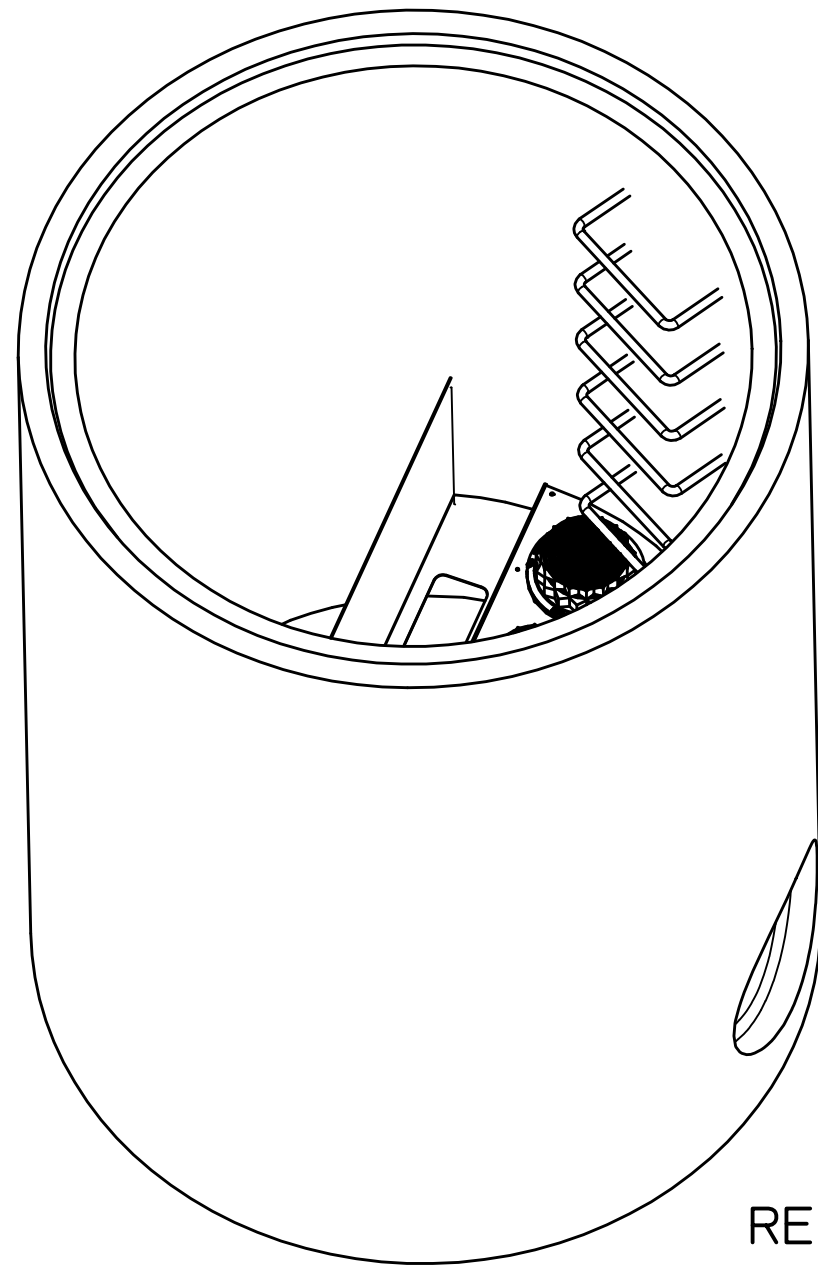
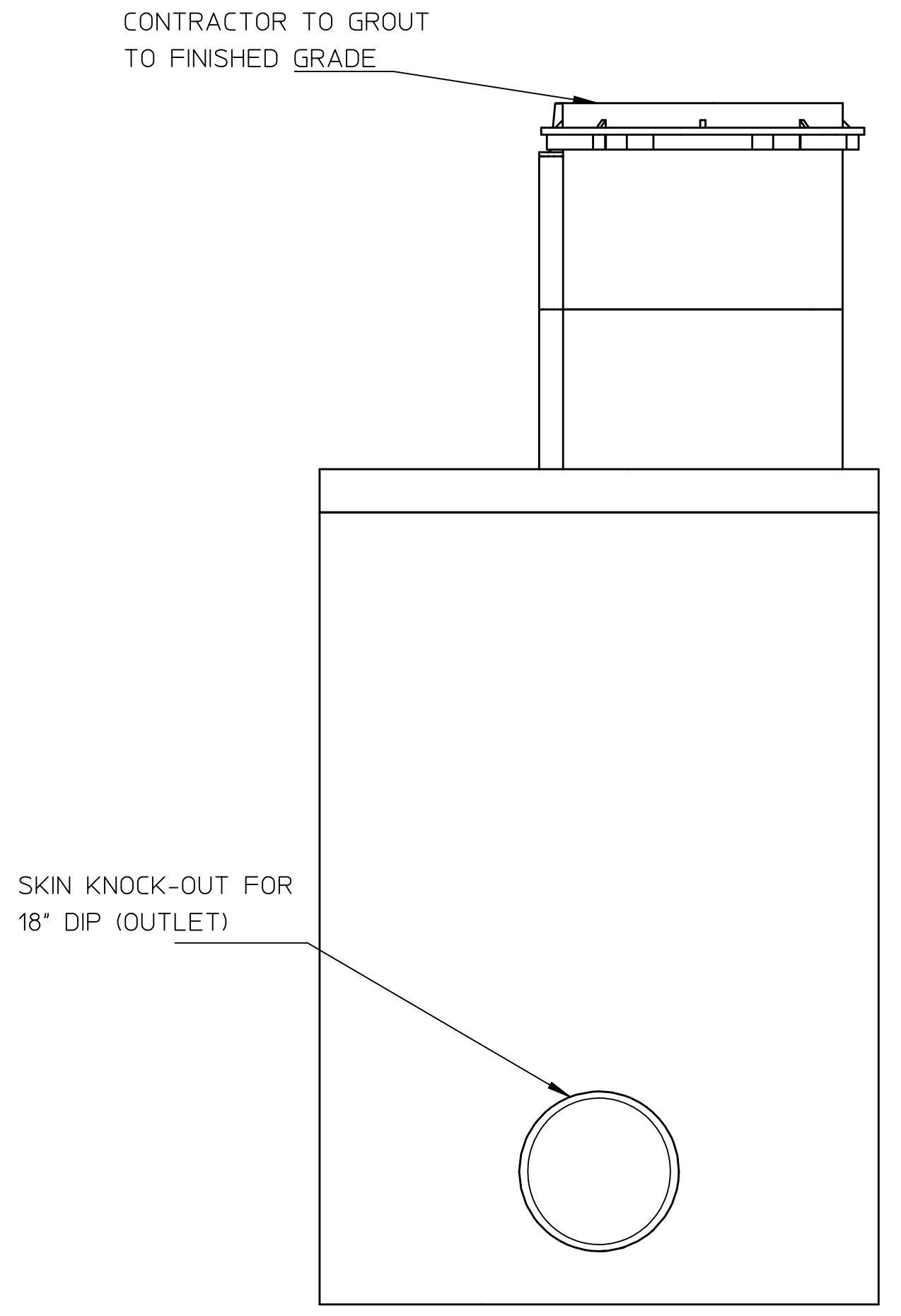
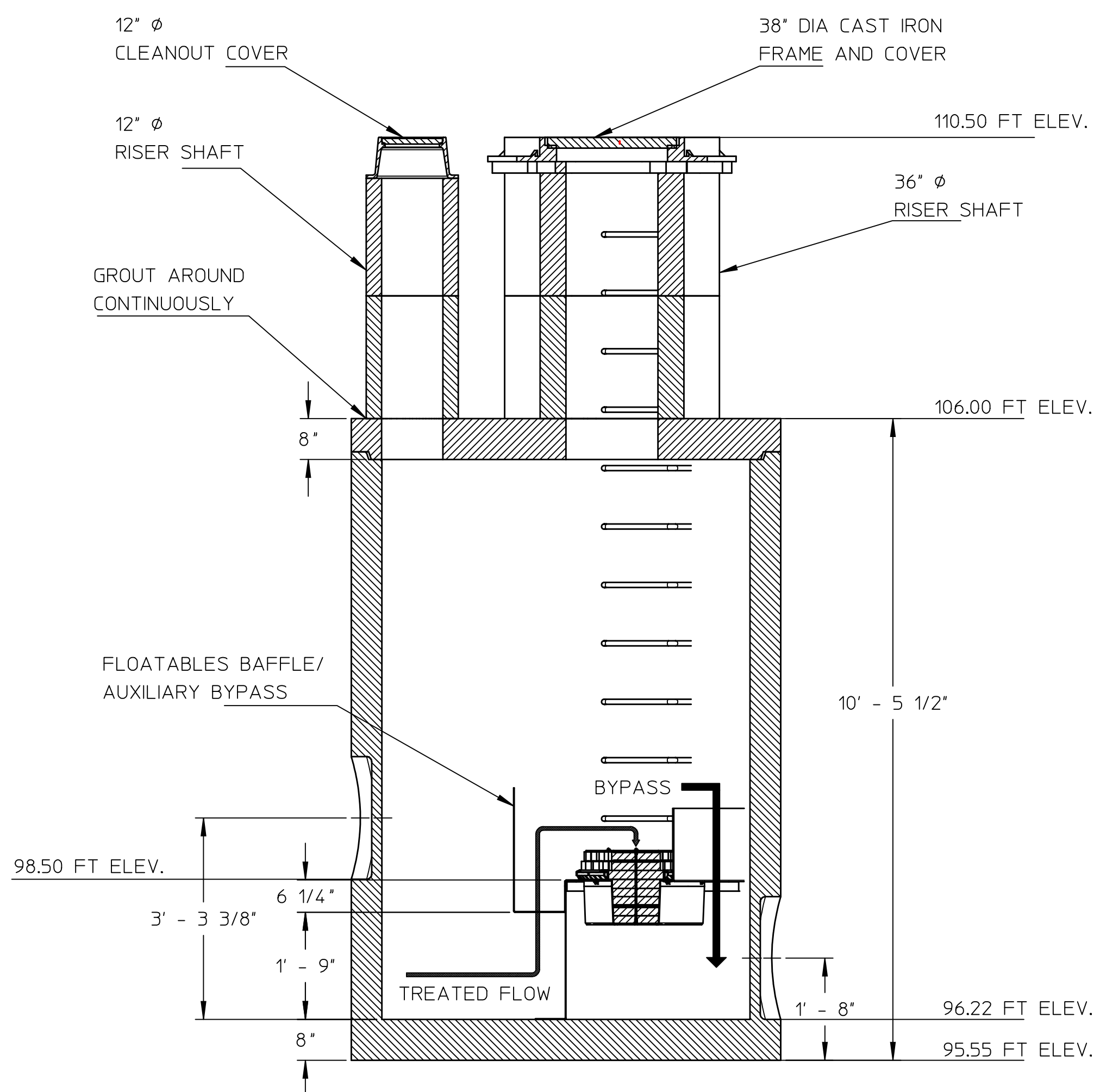
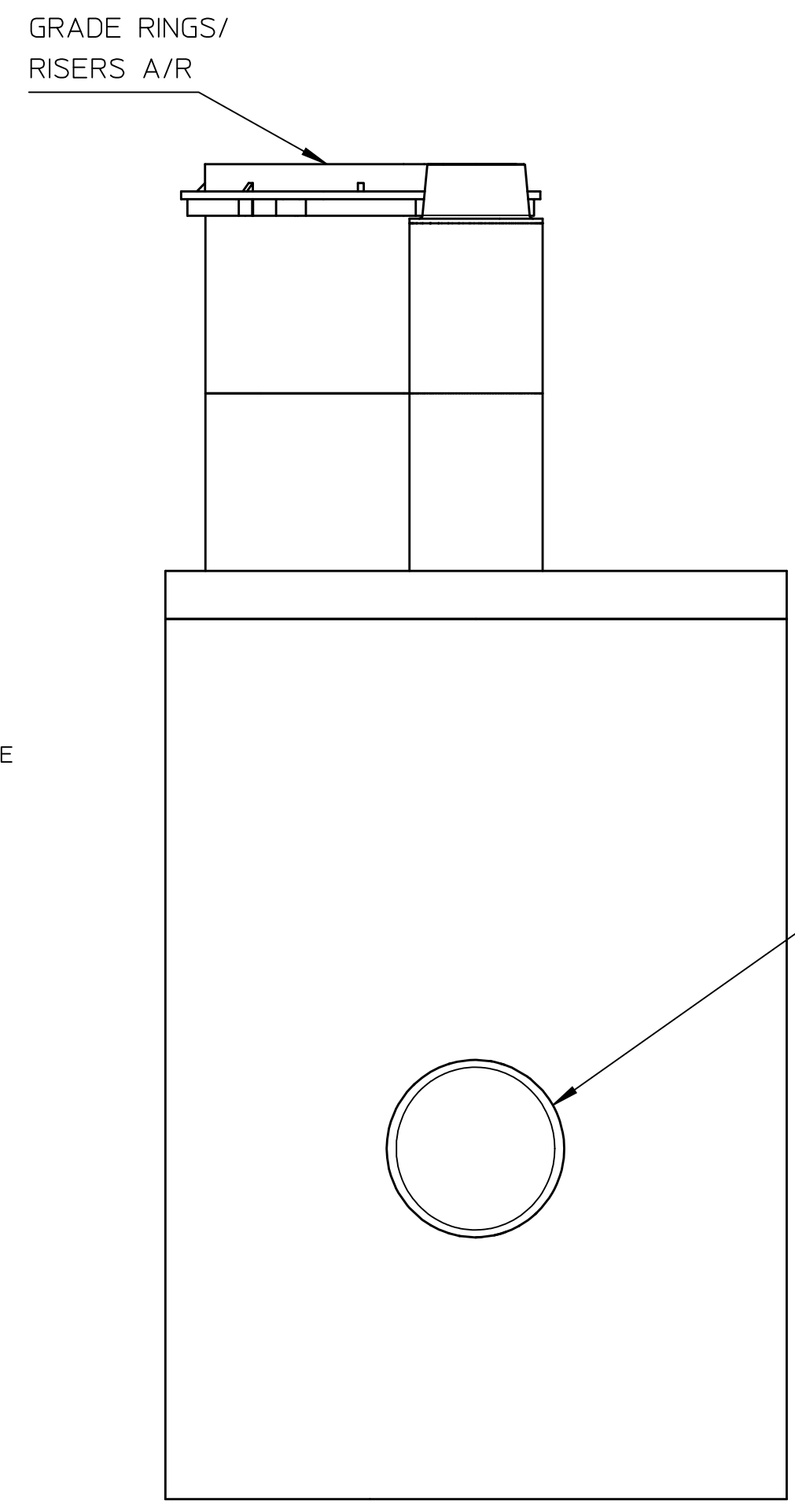
- NOTES (REF):
- WEIGHT ESTIMATE:
  - COVER: 3,200-LB
  - BASE W/ FILTERS: 15,000-LB
  - PRECAST MANHOLE SPECIFICATIONS:
  - CONCRETE 5,000 PSI AFTER 28 DAYS
    - CONFORMS TO ASTM-C478
    - REINFORCED TO 0.18 IN-2/L.F.
    - MANHOLE JOINTS SEALED W/ BUTYL RUBBER
  - ACCESS MANHOLES: ASTM-A-48, CLASS 35B GRAY IRON OR ASTM A536, GRADE 80-55-06 DUCTILE IRON.
  - CONCRETE STRUCTURE DESIGN LOADINGS:
    - AASHTO HS-20 LOAD RATING.
    - SOIL WEIGHT = 120 PCF
    - DEPTH OF OVERBURDEN: <5-FT
    - EQUIVALENT FLUID PRESSURE = 40 PCF
    - LATERAL LIVE LOAD SURCHARGE PER SPECS.
  - PERFORMANCE (W/FABCO HIGH FLOW CARTRIDGES, 9718-7-000):
    - MAXIMUM CARTRIDGE CAPACITY = 7
    - MAXIMUM TREATMENT CAPACITY = 4.0 CFS (1820 GPM)
    - BYPASS CAPACITY 11.1 CFS (5000 GPM)
  - EAST JORDAN IRON WORKS (EJIW) UTILITY CONSTRUCTION CASTING IS RATED FOR REPEATED VEHICULAR TRAFFIC AND CONFORM TO AASHTO M306 STANDARDS. FINAL MANHOLE OR ACCESS HATCH INSTALLATION, AND ADJUSTMENT TO GRADE, SHALL BE PERFORMED BY QUALIFIED PERSONNEL.
  - EXCAVATION, DEWATERING, DRAINAGE FILL, AND BACK FILL OPERATIONS SHALL BE PERFORMED IN ACCORDANCE WITH OSHA AND LOCAL REGULATIONS AND ARE THE RESPONSIBILITY OF THE CONTRACTOR. SUB-BASE AND BACKFILL DEPTH ARE SITE SPECIFIC AND SHALL BE SPECIFIED BY THE ENGINEER OF RECORD.
  - THE CONTRACTOR SHALL VERIFY THAT THE UNIT IS VERTICALLY AND HORIZONTALLY PLUMB AND STABLE, WITH MINIMUM VOIDS AND MINIMUM UN-COMPACTED SOIL AFTER BACK FILL OPERATION.
  - CONNECT EXISTING DRAIN LINE TO MANHOLE OUTLET PORT WITH APPROVED NON-SHRINKING GROUT-FILL IN ACCORDANCE WITH GROUT MANUFACTURERS INSTRUCTIONS. ALL GROUT-FILL MATERIALS SHALL BE SUPPLIED BY THE CONTRACTOR. THE MANHOLE "OUTLET" PORT IS CLEARLY LABELED WITH BLACK PAINT. OUTLET DRAIN LINES ARE TO BE ALIGNED FLUSH WITH RESPECT TO THE INTERIOR VAULT WALLS.
  - MAINTENANCE AND CARTRIDGE FILTER REPLACEMENT INSTRUCTIONS ARE PROVIDED SEPARATELY BY FABCO AND ARE SITE SPECIFIC.
  - CARTRIDGE FILTER REPLACEMENT (IN GENERAL):
 

FOR BEST PERFORMANCE REPLACE CARTRIDGE FILTERS IAW FABCO RECOMMENDATIONS. HIGH CONTAMINANT LOCATIONS MAY REQUIRE MORE FREQUENT CARTRIDGE REPLACEMENT. REMOVE ANY DEBRIS OR HEAVY SEDIMENT FROM THE INFLUENT AND CARTRIDGE CHAMBERS. IF NECESSARY, ENTER THE VAULT CARTRIDGE CHAMBER IN ACCORDANCE WITH STATE AND LOCAL REGULATIONS FOR ENCLOSED SPACE ENTRY. REMOVE EACH CARTRIDGE BY ROTATING 30-DEGREES IN THE CLOCKWISE DIRECTION AND LIFTING. LIKEWISE, INSTALL THE NEW CARTRIDGE AND LOCK IN PLACE BY ROTATING 30-DEGREES IN THE COUNTER CLOCKWISE DIRECTION. DISPOSE OF USED FILTER CARTRIDGES PER LOCAL REGULATIONS.

TOP SLAB NOT SHOWN



SITE SPECIFIC DATA REQUIREMENTS			
STRUCTURE ID	*		
WATER QUALITY FLOW RATE (CFS)	*		
PEAK FLOW RATE (CFS)	*		
RETURN PERIOD OF PEAK FLOW (YRS)	*		
# OF CARTRIDGES REQUIRED	*		
CARTRIDGE FLOW RATE (CFS)	*		
MEDIA TYPE (CFS, PERLITE, ZPG, GAC, PHS)	*		
PIPE DATA:	I.E.	MATERIAL	DIAMETER
INLET PIPE #1	*	*	*
INLET PIPE #2	*	*	*
OUTLET PIPE	*	*	*
UPSTREAM RIM ELEVATION	*		
DOWNSTREAM RIM ELEVATION	*		
ANTI-FLOATATION BALLAST	WIDTH	HEIGHT	
	*	*	
NOTES/SPECIAL REQUIREMENTS:			
* PER ENGINEER OF RECORD			



REFERENCE VIEW

SECTION A-A

NO	QTY	PART NUMBER	DESCRIPTION	REMARKS
BILL OF MATERIALS				
UNLESS OTHERWISE SPECIFIED		TOLERANCES:		
REMOVE ALL BURRS		DEC .00 ± .01		
BREAK SHARP EDGES .002 - .020		DEC .000 ± .005		
FILLETES .020 MAX		FRAC ± 1/16		
DIMENSIONS ARE IN INCHES AND		ANGLE ± 2°		
INCLUDE CHEMICALLY APPLIED		Rg FINISH		
OR PLATED FINISHES		DO NOT SCALE THIS DRAWING		
APPROVALS		DATE		
DWN MS		12/16/13		
CHKR				
ENGR JP		12/16/13		
APVD				
MATERIAL		SEE NOTES		
MODEL LINK		10082-1		
FABCO INDUSTRIES, INC.		66 CENTRAL AVENUE		
FARMINGDALE, NY 11735		WWW.FABCO-INDUSTRIES.COM		
TITLE		MANHOLE-STORMSAFE CARTRIDGE FILTER, 6' DIA		
SIZE		D		
CAGE CODE		1P8A4		
DWG NO		10082-1-000		
REV		B		
SCALE		1:20		
WT		SHEET 1 OF 1		

