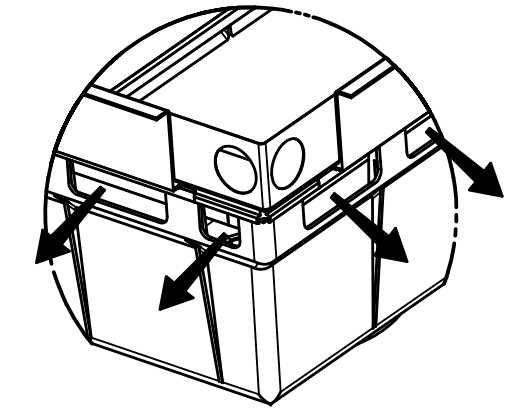
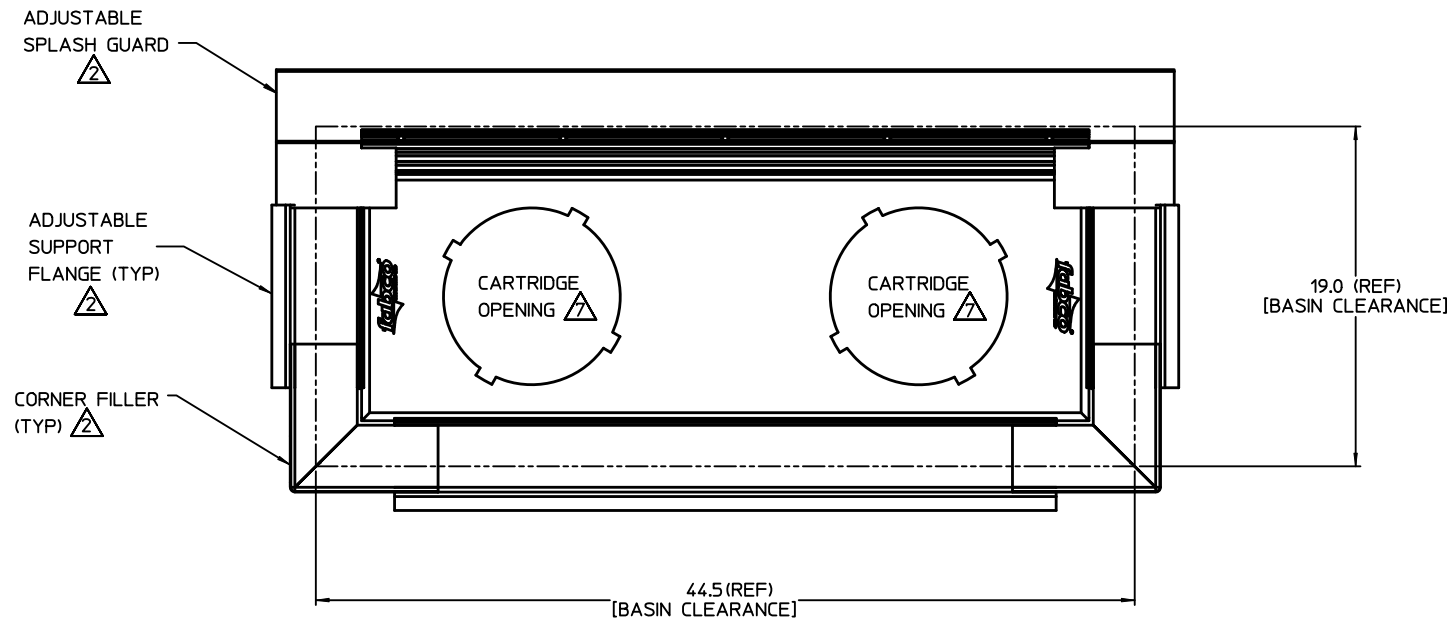


THIS DOCUMENT IS THE PROPERTY OF FABCO INDUSTRIES AND IS CONVEYED WITH THE EXPRESS CONDITION THAT IT AND THE INFORMATION CONTAINED IN IT ARE NOT TO BE USED, DISCLOSED, OR REPRODUCED IN WHOLE OR IN PART, FOR ANY PURPOSE WITHOUT THE EXPRESS WRITTEN CONSENT OF FABCO INDUSTRIES, AND THAT NO RIGHT IS GRANTED TO DISCLOSE OR SO USE ANY INFORMATION CONTAINED IN SAID DOCUMENT.

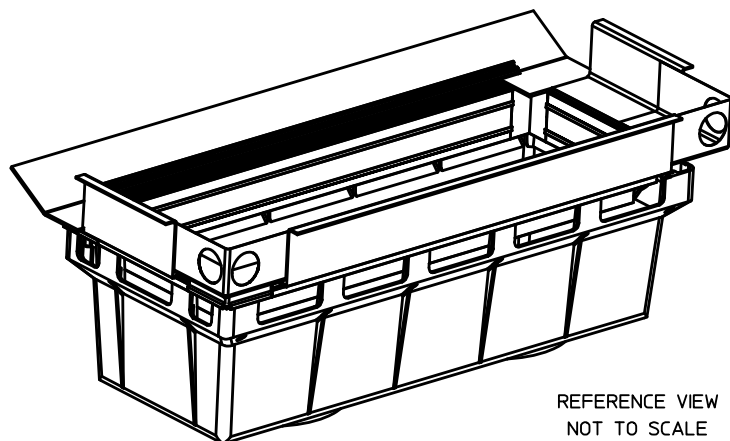
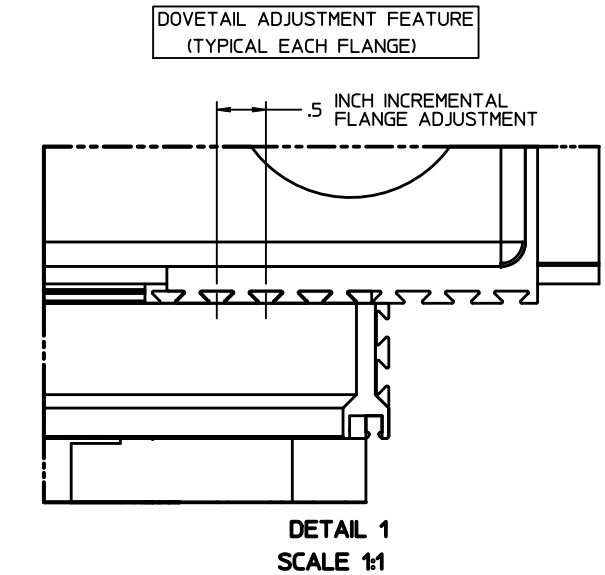
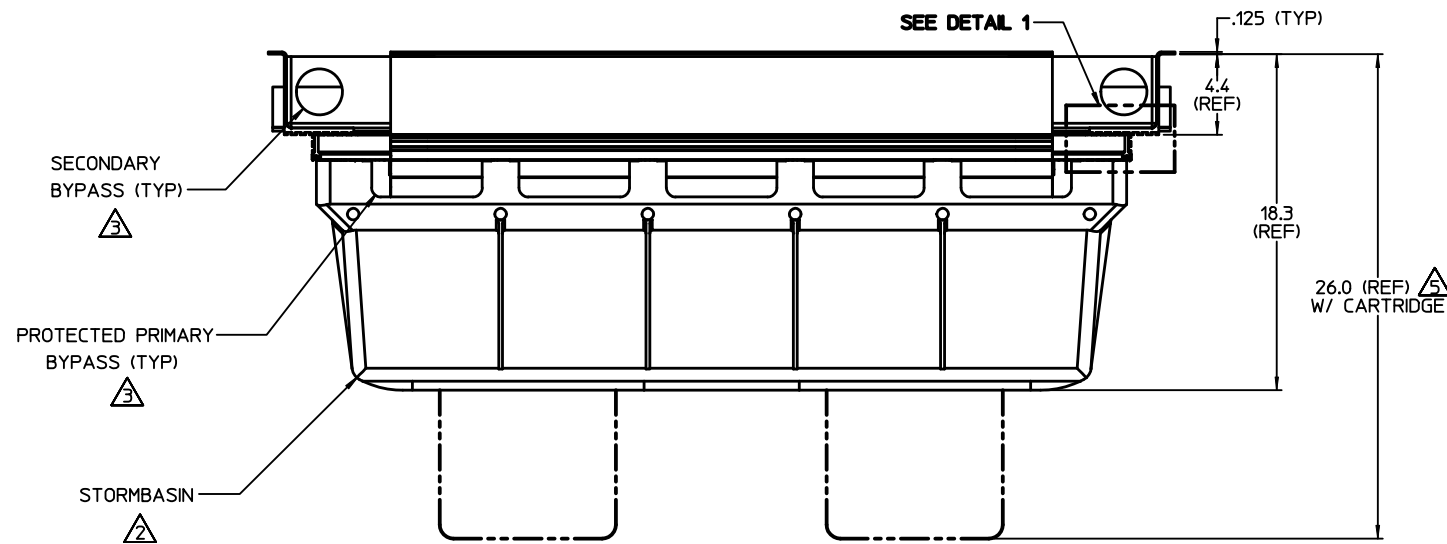
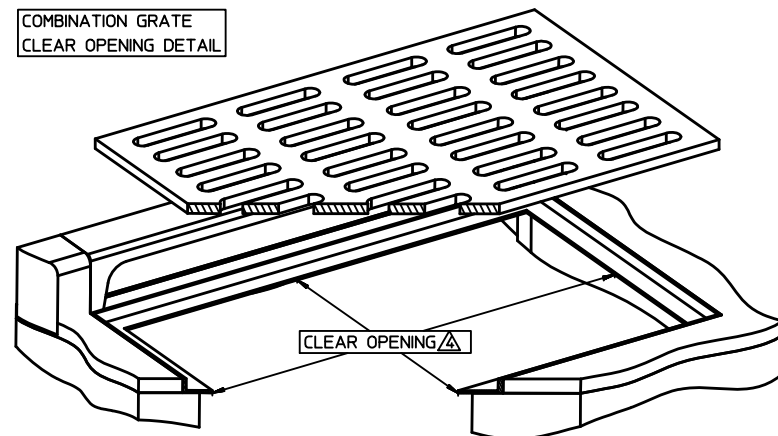
REVISIONS			
REV	DESCRIPTION	DATE	APPROVED
E	ECN9730-1E-000E	5/10/11	

NOTES:

- WEIGHT (EMPTY): 50 LB MAX, NO CARTRIDGES
- MATERIAL:
  - ADJUSTABLE FLANGE AND DEFLECTOR: ALUMINUM ALLOY 6063-T6
  - BASIN (PLASTIC): POLYPROPYLENE POLYETHYLENE COPOLYMER
  - CORNER FILL: ALUMINUM ALLOY: 5052-H32
  - SUPPORT HARDWARE: CRES 300 SERIES
  - SPLASH GUARD: NEOPRENE RUBBER (TRIM IF NECESSARY)
- PERFORMANCE CHARACTERISTICS (TYP):
  - DEBRIS CAPACITY: 5.2 CU-FT
  - FILTERED FLOW RATE (CLEAN STANDARD CARTRIDGE): 230 GPM (0.51 CFS)
  - PRIMARY BYPASS FLOW RATE: 1917 GPM (4.3 CFS)
  - SECONDARY BYPASS FLOW RATE: 164 GPM (0.37 CFS)
  - TOTAL BYPASS FLOW RATE: 2082 GPM (4.6 CFS)
- CLEAR OPENING RANGE (0.5 INCH INCREMENTS):
  - MINIMUM SIZE: 19.0 X 45.0
  - MAXIMUM SIZE: 24.0 X 50.0
- RECOMMENDED MINIMUM VAULT DEPTH 2-IN BELOW CARTRIDGE
- TYPICAL INSTALLATION: REMOVE STORM GRATE, MEASURE CATCH BASIN CLEAR OPENING AND ADJUST FLANGES TO REST ON GRATE SUPPORT LEDGE. INSTALL STORMBASIN INSERT WITH RUBBER SPLASH GUARD EXTENDING INTO CURB-BOX AND VERIFY THE ADJUSTABLE FLANGES ARE SECURELY RESTING ON THE GRATE SUPPORT LEDGES. INSTALL THE CORNER FILL PIECES. REINSTALL THE STORM GRATE DIRECTLY ON STORMBASIN SUPPORT FLANGES.
- USE WITH FABCO REPLACEABLE MEDIA CARTRIDGES ONLY.



PROTECTED BYPASS, TYPICAL  
(NOT TO SCALE)



NO	QTY	PART NUMBER	DESCRIPTION	REMARKS
<b>BILL OF MATERIALS</b>				
UNLESS OTHERWISE SPECIFIED		TOLERANCES:		
REMOVE ALL BURRS		DEC .00 + .01		
BREAK SHARP EDGES .002 - .020		DEC .000 + .005		
FILLET .020 MAX		FRACT ± 1/16		
DIMENSIONS ARE IN INCHES AND		ANGLE ± 2°		
INCLUDE CHEMICALLY APPLIED		R <sub>a</sub> FINISH ✓		
OR PLATED FINISHES		DO NOT SCALE THIS DRAWING		
MATERIAL		APVD		
SEE NOTES		FABCO INDUSTRIES, INC. 66 CENTRAL AVENUE FARMINGDALE, NY 11735 WWW.FABCO-INDUSTRIES.COM		
MODEL LINK		9730-1E_ASSY3		
APPROVALS		DATE		
DWN N.NEUWIRTH		9/17/07		
CHKR R.MARSTON		5/10/11		
ENGR J. PETERS		9/17/07		
TITLE		STORMBASIN, 19X45 CS		
SIZE	CAGE CODE	DWG NO	REV	
D	1P8A4	9730-1E-000	E	
SCALE 3/16		SHEET 1 OF 1		