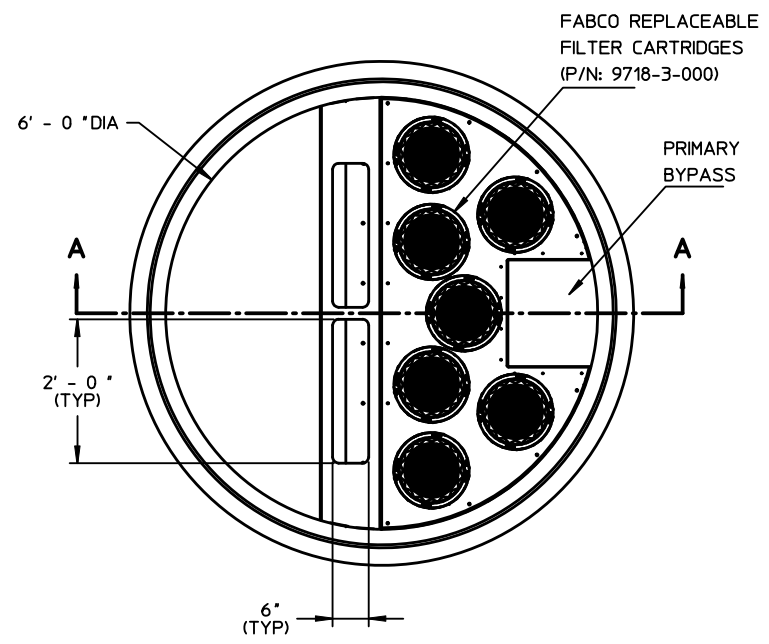


THIS DOCUMENT IS THE PROPERTY OF FABCO INDUSTRIES AND IS CONVEYED WITH THE EXPRESS CONDITION THAT IT AND THE INFORMATION CONTAINED IN IT ARE NOT TO BE USED, DISCLOSED, OR REPRODUCED IN WHOLE OR IN PART, FOR ANY PURPOSE WITHOUT THE EXPRESS WRITTEN CONSENT OF FABCO INDUSTRIES, AND THAT NO RIGHT IS GRANTED TO DISCLOSE OR SO USE ANY INFORMATION CONTAINED IN SAID DOCUMENT.

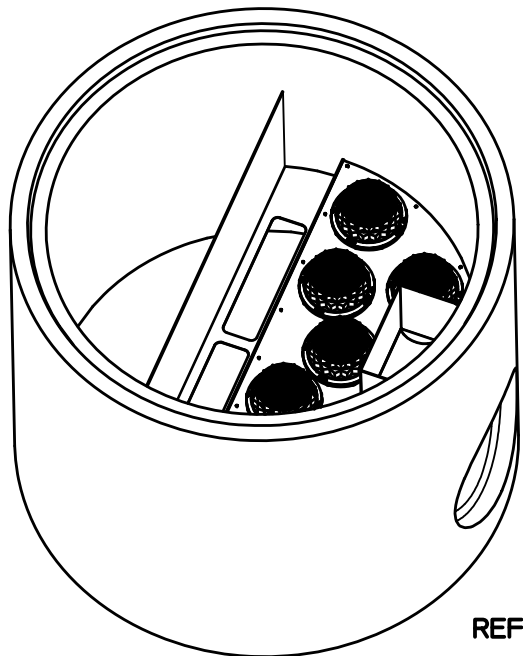
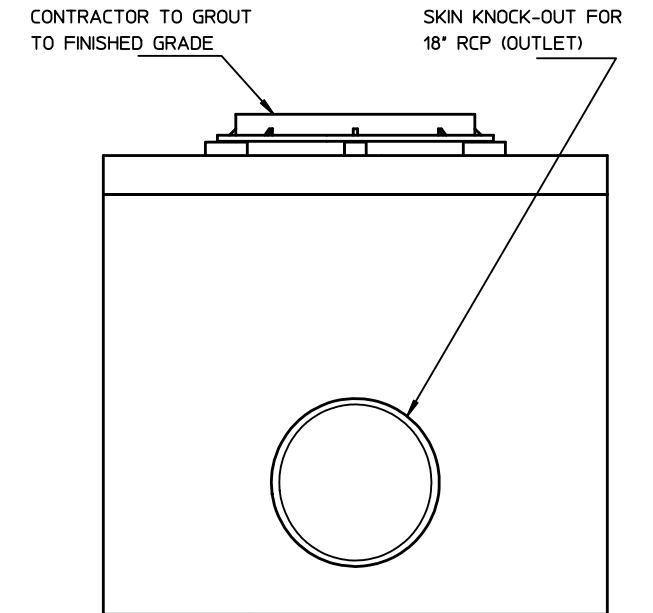
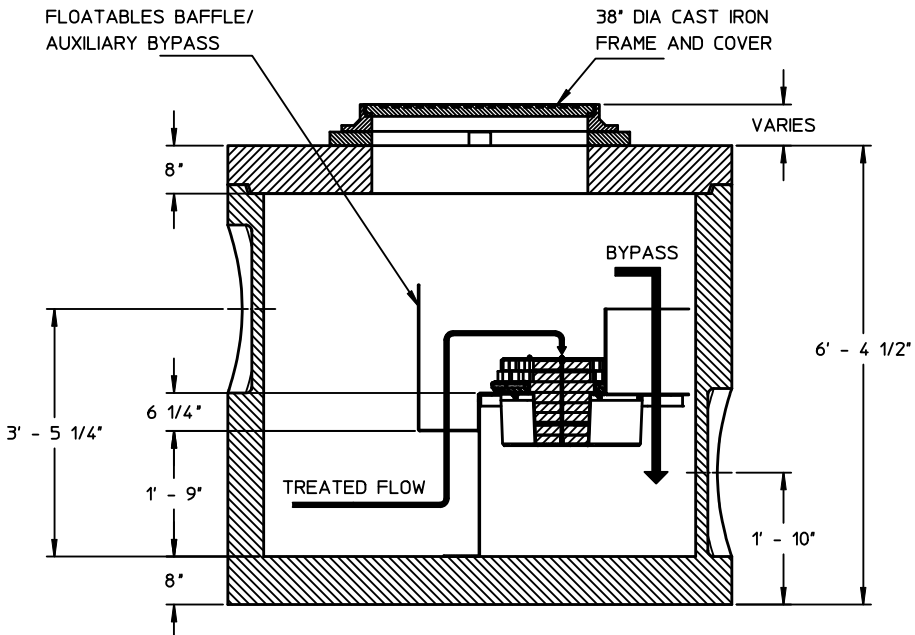
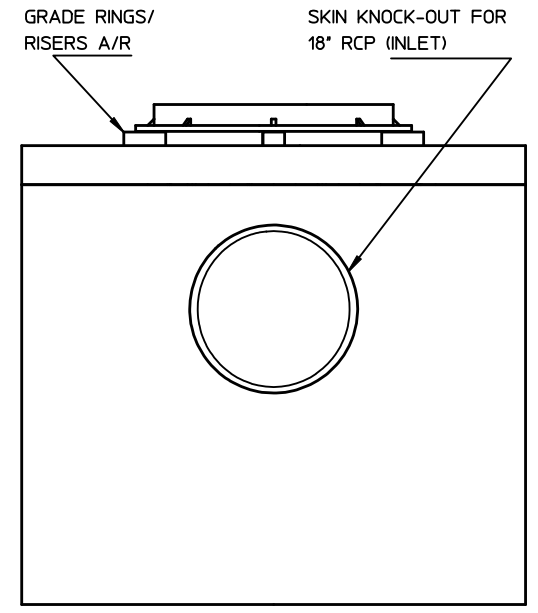
| REVISIONS |               |          |          |
|-----------|---------------|----------|----------|
| REV       | DESCRIPTION   | DATE     | APPROVED |
| A         | FIRST RELEASE | 11/19/13 |          |

- NOTES (REF):
- WEIGHT ESTIMATE:
    - COVER: 3,200-LB
    - BASE W/ FILTERS: 15,000-LB
  - PRECAST MANHOLE SPECIFICATIONS:
    - CONCRETE 5,000 PSI AFTER 28 DAYS
      - CONFORMS TO ASTM-C478
      - REINFORCED TO 0.18 IN<sup>2</sup>/L.F.
      - MANHOLE JOINTS SEALED W/ BUTYL RUBBER
    - ACCESS MANHOLES: ASTM-A-48, CLASS 35B GRAY IRON OR ASTM A536, GRADE 80-55-06 DUCTILE IRON.
  - CONCRETE STRUCTURE DESIGN LOADINGS:
    - AASHTO HS-20 LOAD RATING.
    - SOIL WEIGHT = 120 PCF
    - DEPTH OF OVERBURDEN: <5-FT
    - EQUIVALENT FLUID PRESSURE = 40 PCF
    - LATERAL LIVE LOAD SURCHARGE PER SPECS.
  - PERFORMANCE (W/FABCO STANDARD CARTRIDGES, 9718-1-000):
    - MAXIMUM CARTRIDGE CAPACITY = 7
    - MAXIMUM TREATMENT CAPACITY = 1.8 CFS (808 GPM)
    - BYPASS CAPACITY 11.1 CFS (5000 GPM)
  - EAST JORDAN IRON WORKS (EJIW) UTILITY CONSTRUCTION CASTING IS RATED FOR REPEATED VEHICULAR TRAFFIC AND CONFORM TO AASHTO M306 STANDARDS. FINAL MANHOLE OR ACCESS HATCH INSTALLATION, AND ADJUSTMENT TO GRADE, SHALL BE PERFORMED BY QUALIFIED PERSONNEL.
  - EXCAVATION, DEWATERING, DRAINAGE FILL, AND BACK FILL OPERATIONS SHALL BE PERFORMED IN ACCORDANCE WITH OSHA AND LOCAL REGULATIONS AND ARE THE RESPONSIBILITY OF THE CONTRACTOR. SUB-BASE AND BACKFILL DEPTH ARE SITE SPECIFIC AND SHALL BE SPECIFIED BY THE ENGINEER OF RECORD.
  - THE CONTRACTOR SHALL VERIFY THAT THE UNIT IS VERTICALLY AND HORIZONTALLY PLUMB AND STABLE, WITH MINIMUM VOIDS AND MINIMUM UN-COMPACTED SOIL AFTER BACK FILL OPERATION.
  - CONNECT EXISTING DRAIN LINE TO MANHOLE OUTLET PORT WITH APPROVED NON-SHRINKING GROUT-FILL IN ACCORDANCE WITH GROUT MANUFACTURERS INSTRUCTIONS. ALL GROUT-FILL MATERIALS SHALL BE SUPPLIED BY THE CONTRACTOR. THE MANHOLE 'OUTLET' PORT IS CLEARLY LABELED WITH BLACK PAINT. OUTLET DRAIN LINES ARE TO BE ALIGNED FLUSH WITH RESPECT TO THE INTERIOR VAULT WALLS.
  - MAINTENANCE AND CARTRIDGE FILTER REPLACEMENT INSTRUCTIONS ARE PROVIDED SEPARATELY BY FABCO AND ARE SITE SPECIFIC.
  - CARTRIDGE FILTER REPLACEMENT (IN GENERAL): FOR BEST PERFORMANCE REPLACE CARTRIDGE FILTERS IAW FABCO RECOMMENDATIONS. HIGH CONTAMINANT LOCATIONS MAY REQUIRE MORE FREQUENT CARTRIDGE REPLACEMENT. REMOVE ANY DEBRIS OR HEAVY SEDIMENT FROM THE INFLUENT AND CARTRIDGE CHAMBERS. IF NECESSARY, ENTER THE VAULT CARTRIDGE CHAMBER IN ACCORDANCE WITH STATE AND LOCAL REGULATIONS FOR ENCLOSED SPACE ENTRY. REMOVE EACH CARTRIDGE BY ROTATING 30-DEGREES IN THE CLOCKWISE DIRECTION AND LIFTING. LIKEWISE, INSTALL THE NEW CARTRIDGE AND LOCK IN PLACE BY ROTATING 30-DEGREES IN THE COUNTER CLOCKWISE DIRECTION. DISPOSE OF USED FILTER CARTRIDGES PER LOCAL REGULATIONS.

TOP SLAB NOT SHOWN



| SITE SPECIFIC DATA REQUIREMENTS          |       |          |          |
|------------------------------------------|-------|----------|----------|
| STRUCTURE ID                             | *     |          |          |
| WATER QUALITY FLOW RATE (CFS)            | *     |          |          |
| PEAK FLOW RATE (CFS)                     | *     |          |          |
| RETURN PERIOD OF PEAK FLOW (YRS)         | *     |          |          |
| # OF CARTRIDGES REQUIRED                 | *     |          |          |
| CARTRIDGE FLOW RATE (CFS)                | *     |          |          |
| MEDIA TYPE (CFS, PERLITE, ZPG, GAC, PHS) | *     |          |          |
| PIPE DATA:                               | I.E.  | MATERIAL | DIAMETER |
| INLET PIPE #1                            | *     | *        | *        |
| INLET PIPE #2                            | *     | *        | *        |
| OUTLET PIPE                              | *     | *        | *        |
| UPSTREAM RIM ELEVATION                   | *     |          |          |
| DOWNSTREAM RIM ELEVATION                 | *     |          |          |
| ANTI-FLOATATION BALLAST                  | WIDTH | HEIGHT   |          |
|                                          | *     | *        |          |
| NOTES/SPECIAL REQUIREMENTS:              |       |          |          |
| * PER ENGINEER OF RECORD                 |       |          |          |



REFERENCE VIEW

SECTION A-A

| NO                                                                         | QTY       | PART NUMBER                                                            | DESCRIPTION  | REMARKS |
|----------------------------------------------------------------------------|-----------|------------------------------------------------------------------------|--------------|---------|
| BILL OF MATERIALS                                                          |           |                                                                        |              |         |
| UNLESS OTHERWISE SPECIFIED                                                 |           | TOLERANCES:                                                            |              |         |
| REMOVE ALL BURRS                                                           |           | DEC .00 ± .01                                                          |              |         |
| BREAK SHARP EDGES .002 - .020                                              |           | DEC .000 ± .005                                                        |              |         |
| FILLETS .020 MAX                                                           |           | FRAC 1 ± .1%                                                           |              |         |
| DIMENSIONS ARE IN INCHES AND INCLUDE ORIENTALLY APPLIED OR PLATED FINISHES |           | R10 FINISH ✓                                                           |              |         |
| DO NOT SCALE THIS DRAWING                                                  |           |                                                                        |              |         |
| MATERIAL                                                                   |           | SEE NOTES                                                              |              |         |
| MODEL LINK                                                                 |           | 10078-1                                                                |              |         |
| APPROVALS                                                                  |           | DATE                                                                   |              |         |
| OWN MS                                                                     |           | 11/19/13                                                               |              |         |
| CHKR                                                                       |           |                                                                        |              |         |
| ENGR JP                                                                    |           | 11/19/13                                                               |              |         |
| APVD                                                                       |           |                                                                        |              |         |
| FABCO INDUSTRIES, INC.                                                     |           | 66 CENTRAL AVENUE<br>FARMINGDALE, NY 11735<br>WWW.FABCO-INDUSTRIES.COM |              |         |
| TITLE                                                                      |           | MANHOLE-STORMSAFE CARTRIDGE FILTER, 6' DIA                             |              |         |
| SIZE                                                                       | CAGE CODE | DWG NO                                                                 | REV          |         |
| D                                                                          | 1P8A4     | 10078-1-000                                                            | A            |         |
| SCALE                                                                      | 1:16      | WT                                                                     | SHEET 1 OF 1 |         |