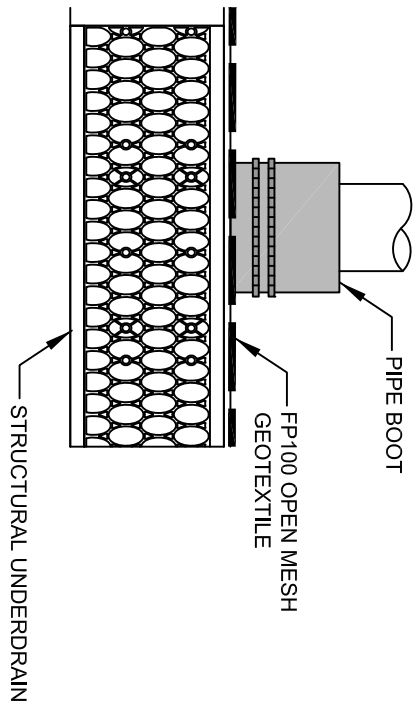
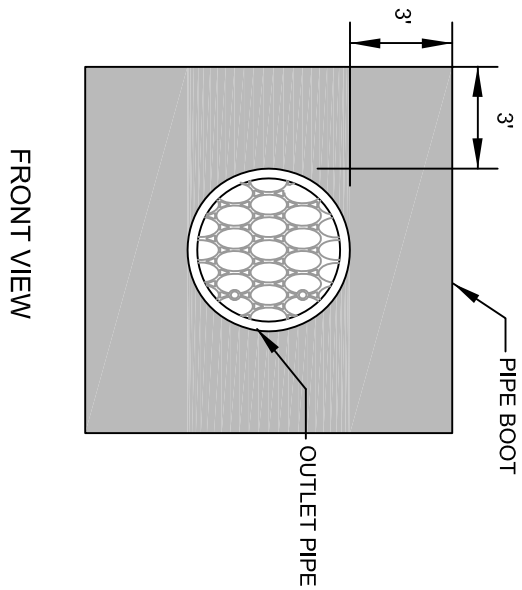


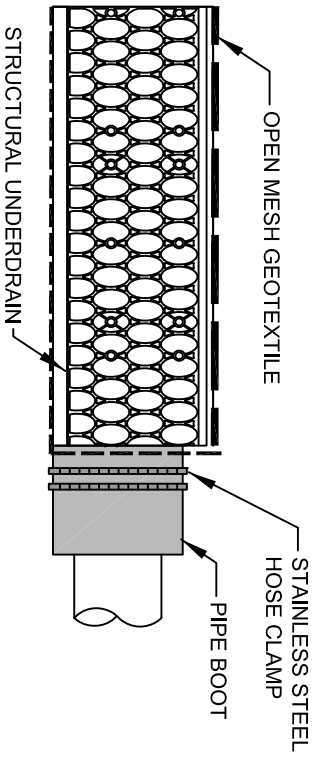
OBSERVATION/ MAINTENANCE PORT CONNECTION



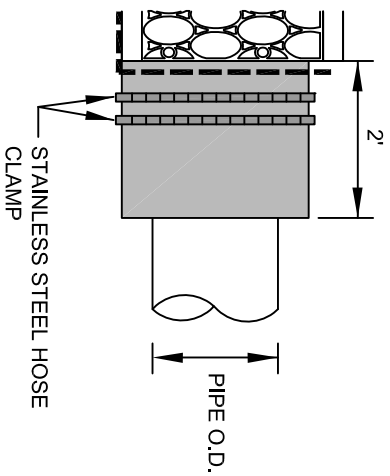
PIPE BOOT DETAIL



OUTLET/INLET PIPE CONNECTION



SIDE VIEW



**FOCALPOINT PIPE CONNECTION**

FOR MORE INFORMATION CONTACT ACF ENVIRONMENTAL  
 WWW.ACFENVIRONMENTAL.COM  
 800.448.3636



REVISED  
 MARCH 2015